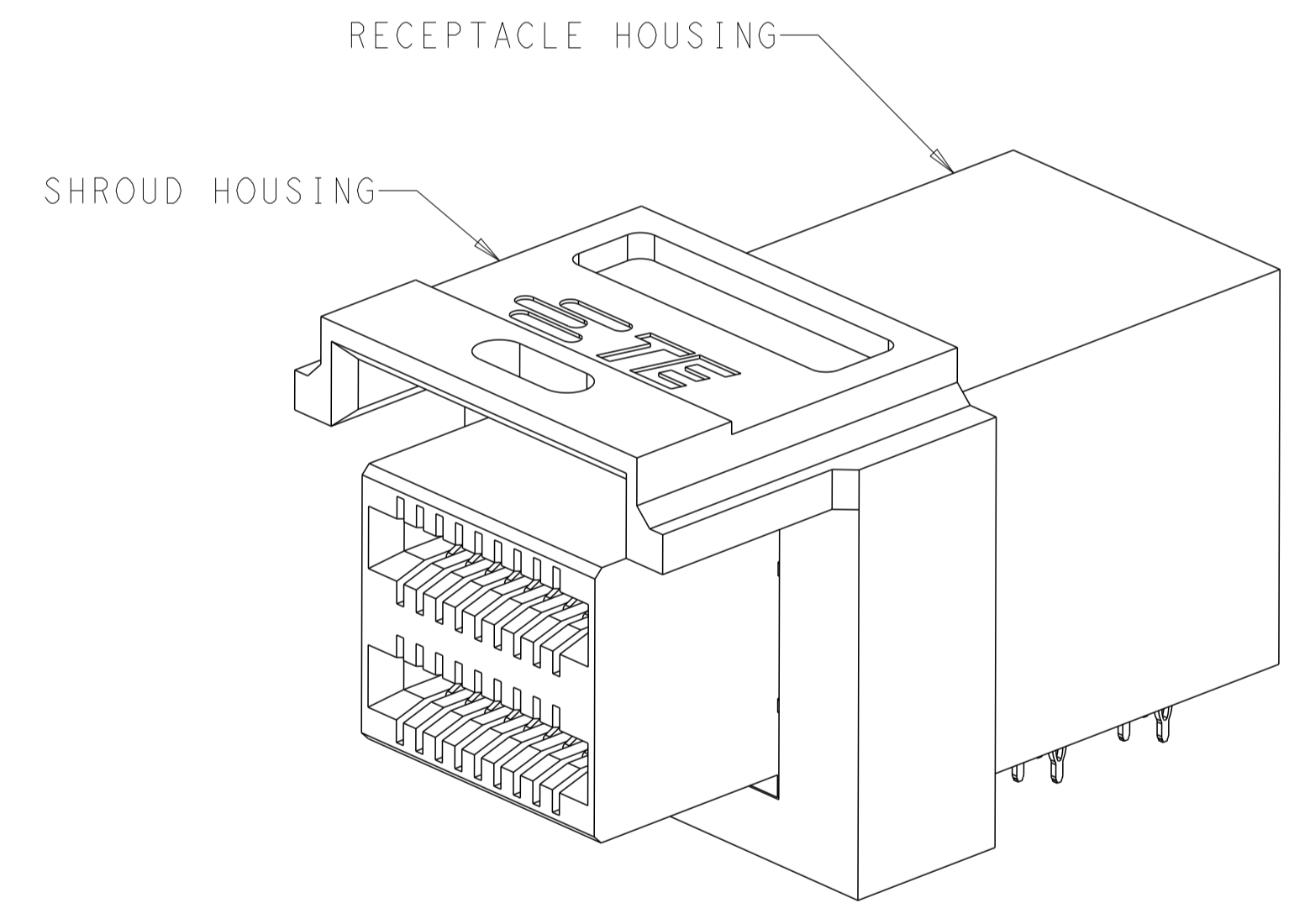
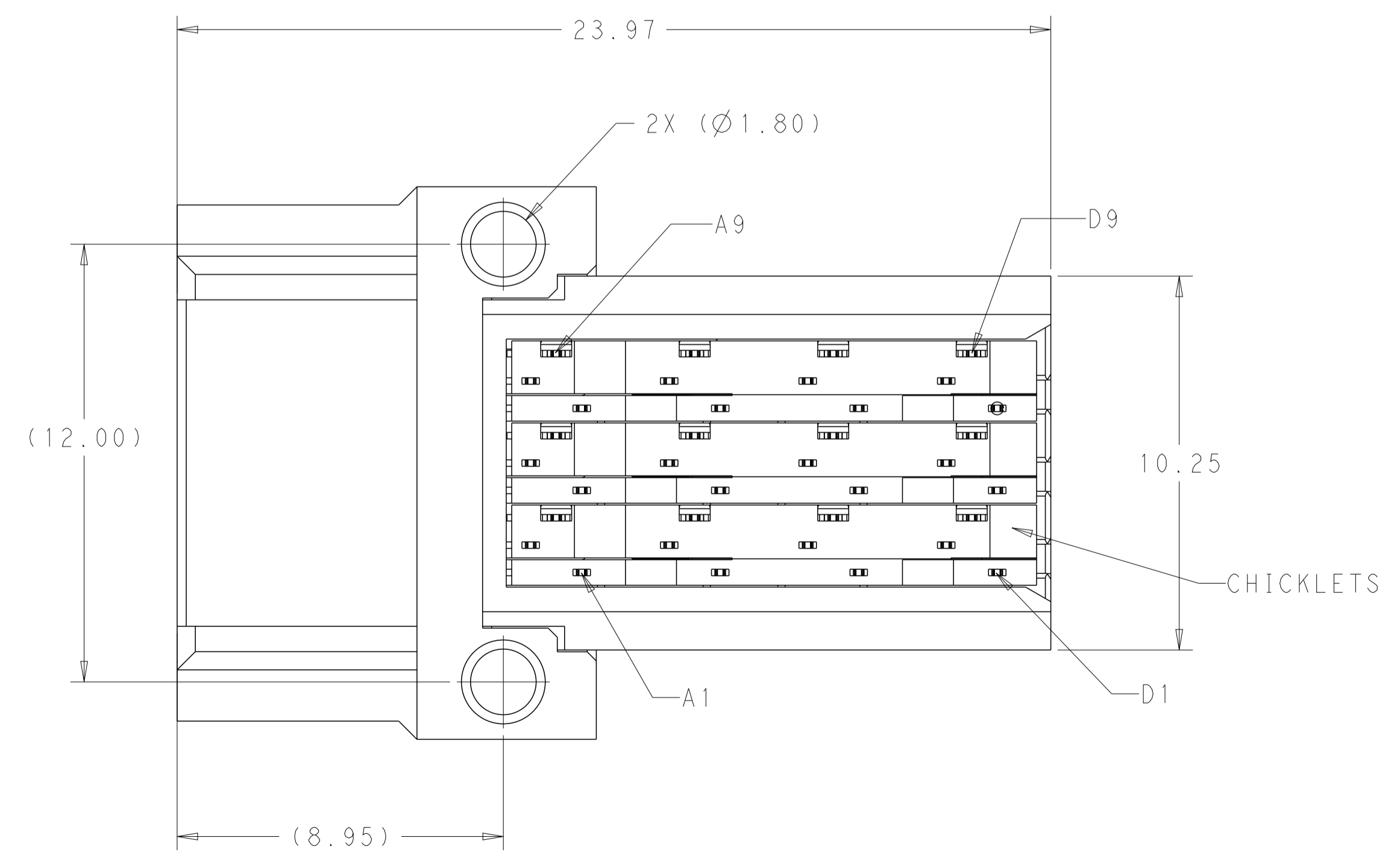
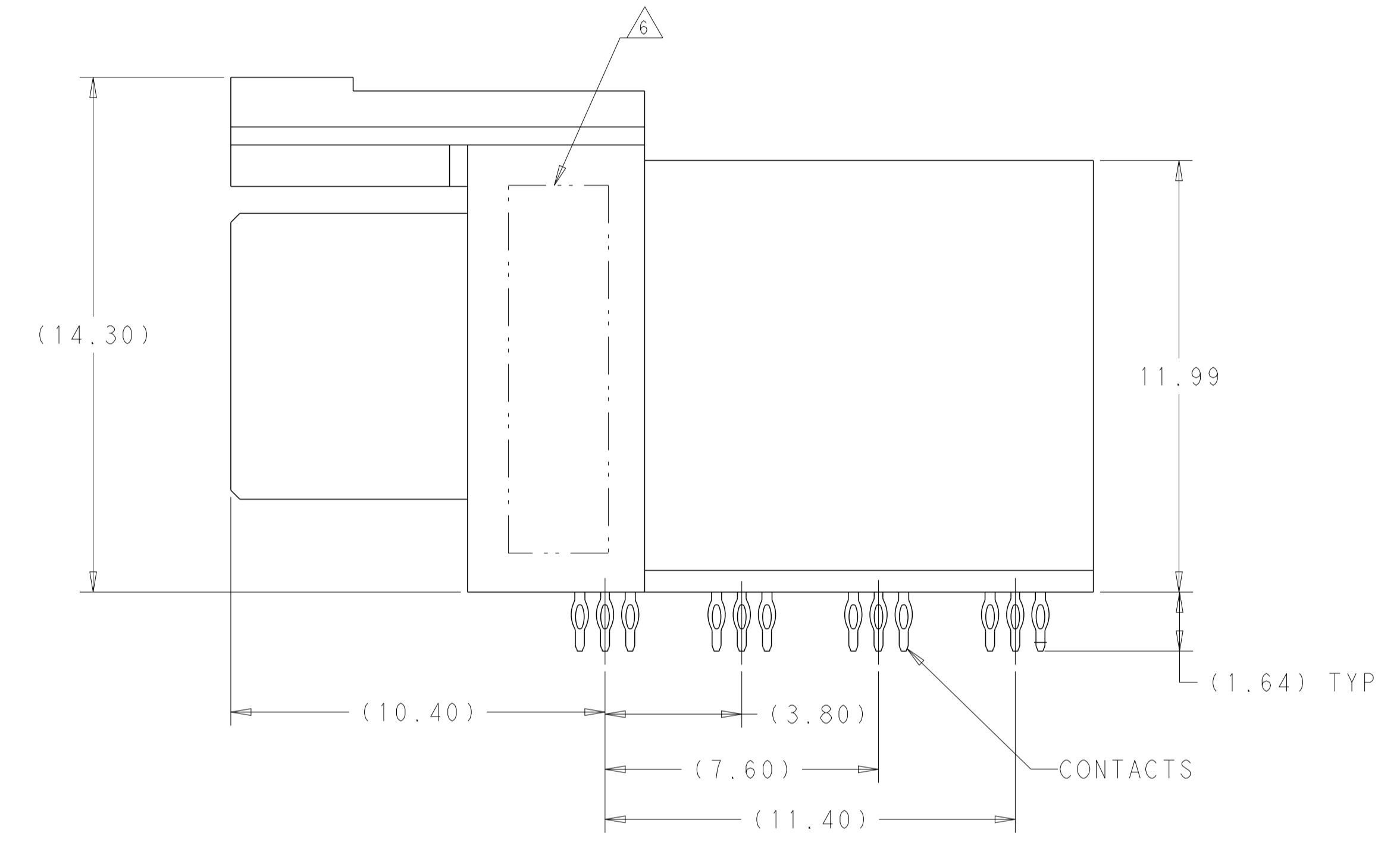
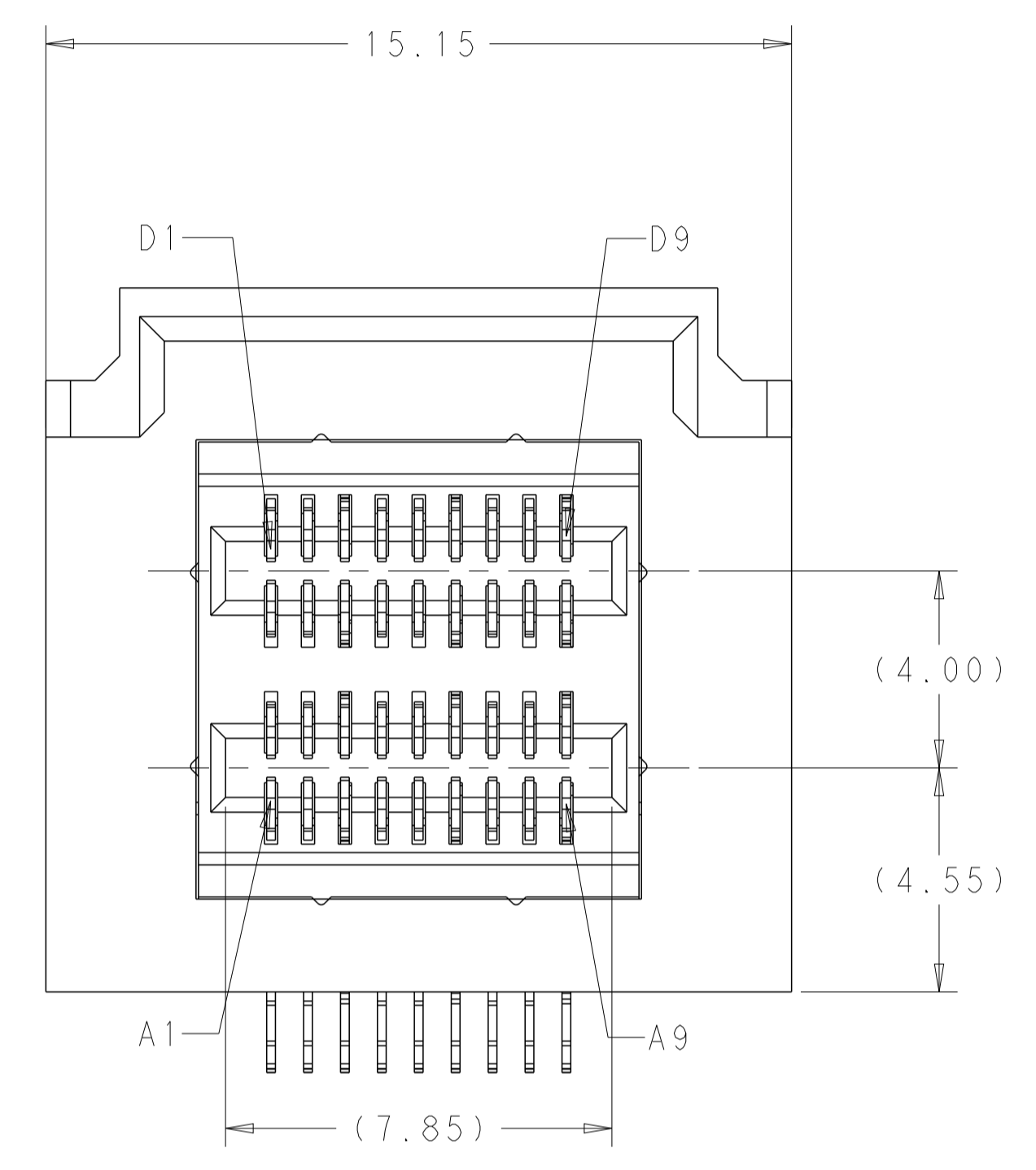


LOC		DIST		REVISIONS			
P	LTN	DESCRIPTION	DATE	DWN	APVD		
A		REVISED PER ECO-15-000199	13JAN2015	AP	DG		

- ⚠ MATERIALS
 HOUSINGS AND CHICKLETS: LCP, BLACK, UL94V-0 RATED
 CONTACTS: COPPER ALLOY
- ⚠ CONTACT FINISH: CONFORMS TO THE REQUIREMENTS OF TE PRODUCT SPECIFICATION, 108-32038 BASED ON EIA/ECA-364-1000.01A. (CONTROLLED ENVIRONMENT APPLICATIONS) ON MATING END. TIN PLATED ON PCB TAIL
- 3. MATES WITH TE PLUG 2227603-1
- 4. MOUNTING HARDWARE M2x1.35 SELF-THREADING SCREW
 SCREW LENGTH OF FASTENER = PCB THICKNESS + 3.0mm MAX (1.75mm MIN)
 MOUNTING HARDWARE NOT INCLUDED
- ⚠ RECOMMENDED COMPONENT KEEP OUT ZONE.
- ⚠ PART NUMBER AND DATE CODE MARKED IN APPROXIMATE AREA SHOWN ON OPPOSITE SIDE.

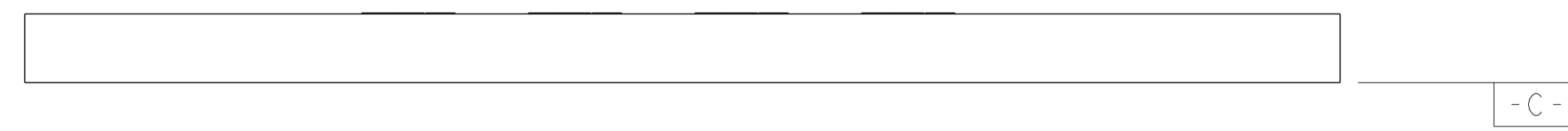
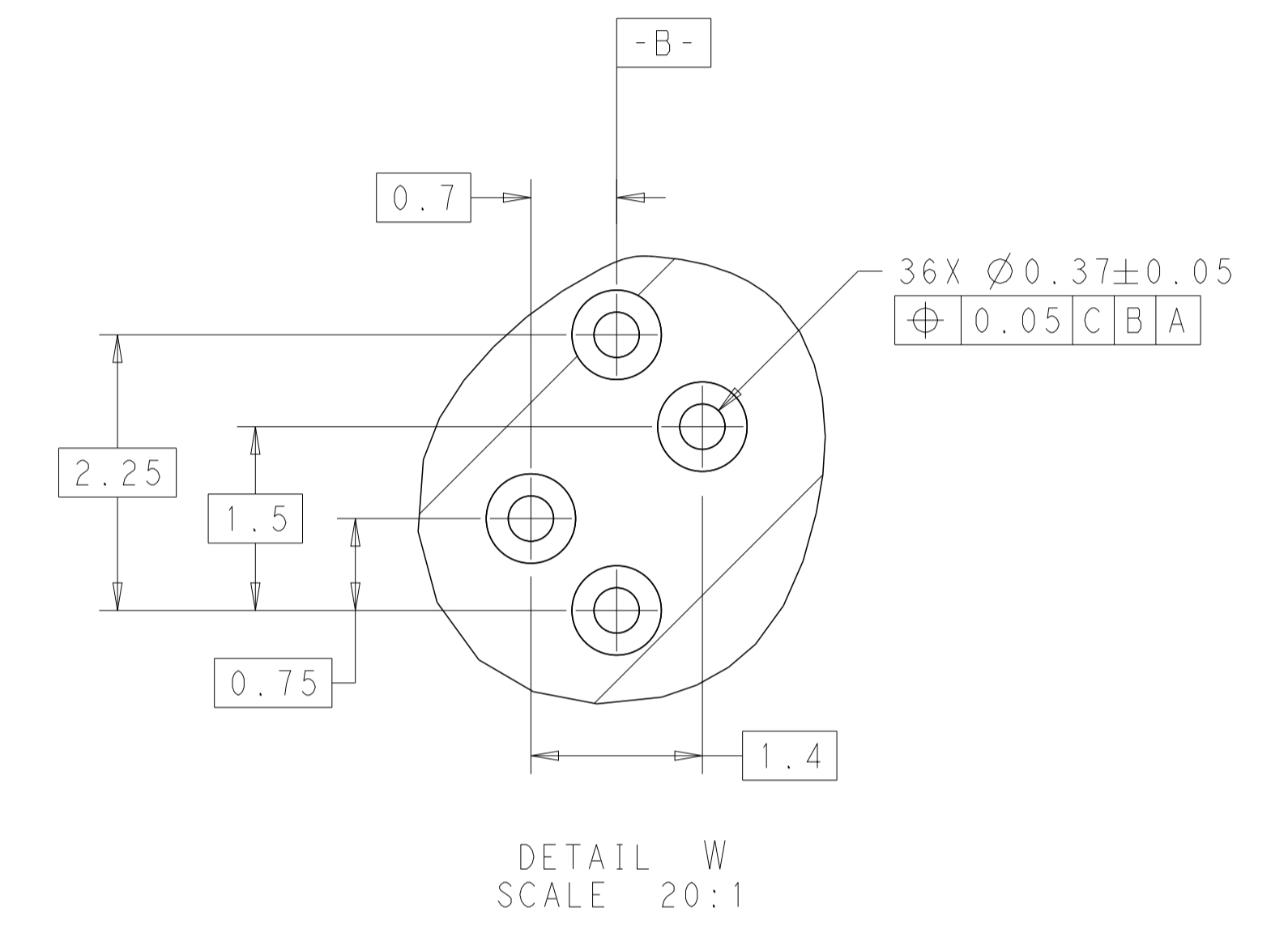
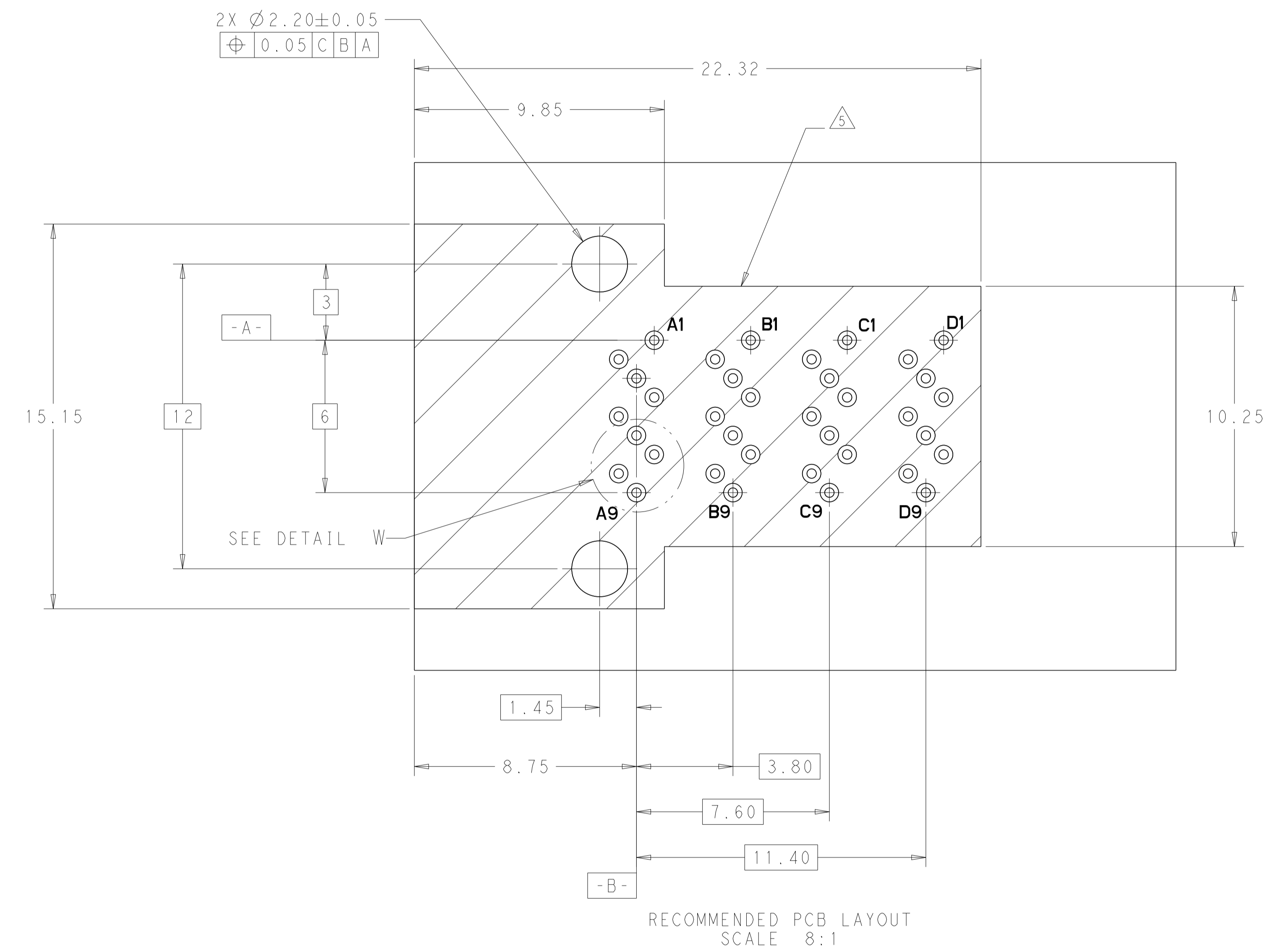


SCALE 6:1

2227580-1
 PART NUMBER

THIS DRAWING IS A CONTROLLED DOCUMENT.		DWN R. TREA 13DEC2012	NAME	
DIMENSIONS:		CHK R. HENRY 13DEC2012	RECEPTACLE ASSEMBLY, 1X1, RIGHT ANGLE, INTERNAL MINI SAS HD	
TOLERANCES UNLESS OTHERWISE SPECIFIED:		APVD	RESTRICTED TO	
mm		PRODUCT SPEC	SIZE	
0 PLC ±		108-32038	CAGE CODE	
2 PLC ±0.13		APPLICATION SPEC	DRAWING NO	
3 PLC ±		114-32101	A1	
4 PLC ±		WEIGHT	SCALE	
ANGLES ±		-	8:1	
FINISH		Customer Drawing	SHEET 1 OF 2	
MATERIAL		©=2227580		REV A

LOC		DIST		REVISIONS			
P	LTN	DESCRIPTION	DATE	DMN	APVD		
-	-	SEE SHEET 1	-	-	-		



THIS DRAWING IS A CONTROLLED DOCUMENT.		DMN R. TREA 13DEC2012	TE Connectivity	
DIMENSIONS: mm		CHK R. HENRY 13DEC2012	NAME RECEPTACLE ASSEMBLY, 1X1, RIGHT ANGLE, INTERNAL MINI SAS HD	
TOLERANCES UNLESS OTHERWISE SPECIFIED: 0 PLC ± 1 PLC ± 2 PLC ±0.13 3 PLC ± 4 PLC ± ANGLES ± FINISH ±		APVD -	PRODUCT SPEC 108-32038	RESTRICTED TO -
MATERIAL -		APPLICATION SPEC 114-32101	SIZE A1	Customer Drawing
		WEIGHT -	CAGE CODE C=2227580	SCALE 8:1
				SHEET 2 OF 2
				REV A